



## Tool trolley 98 PRO

### 98/8 PRO

Art.No. 81200172  
GTIN 4018754334520  
Model 98/8 A PRO

**Label.** Tool trolley 98/8 PRO 8 Drawers 496 x 827 x 1020 mm Anthracite, RAL 7016

#### Description.

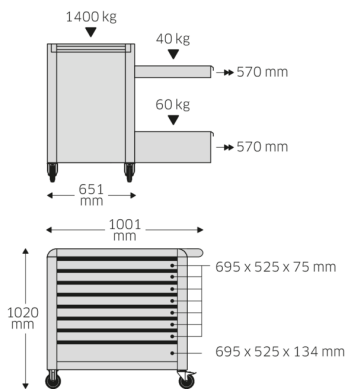
##### three-stage safety concept:

1. central locking with a cylinder lock and fold-down key
  2. individual locks prevent inadvertent opening in transit
  3. topple-proof – it is not possible to pull out more than one drawer at a time
- in comparison with the 93 and the TTS 95 PRO each drawer offers 100% more volume
  - stainless steel handle with reinforced connection to body
  - impact protection strips with wrap-around bumper
  - wear and scratch-resistant worktop welded to be leak-proof and protective base strip made of stainless steel
  - oil and acid resistant bearing-mounted wheels (#0; 125 mm) with carpet protection to prevent ingress of dirt and fibres into bearings, with two parking brakes
  - holders for paper rolls and spray cans included
  - 8 easily removable drawers (black RAL 9005) with full-extension runners and ball cage guides
  - three standard colours, drawers RAL 9005 Jet Black
  - perforations from both sides for Hooks No 8031-8041, e.g. for larger tools
  - can be enhanced with STAHLWILLE Standard and TCS inlays

#### Advantages.

Three-stage safety concept 1. Central locking by side cylinder lock with folding key 2. Individual locks prevent inadvertent opening while in transit 3. Tilt protection – it is not possible to pull out several drawers at the same time.

## Technical Drawing.



## Technical Attributes.

Number of drawers	8
Breite mm (b)	827 mm
Colour	Anthracite, RAL 7016
Colour (short form)	RAL 7016
Height mm (h)	1020 mm
Länge mm (l)	496 mm
No.	98/8 A PRO
Drawer internal dimensions	695 x 525 x 75 mm (7x) 695 x 525 x 134 mm (1x)
Drawer load capacity	40 kg 60 kg
Load capacity	1,400 kg

## Logistics data.

Length (IFS)	890
Width (IFS)	650
Height (IFS)	865
Length (packed, mm)	987
Width (packed, mm)	745
Höhe (verpackt, mm)	925
Code	81200172
Weight (gross, kg)	123,500
Weight PAP (kg)	9,500
Weight PVC (kg)	0,000
GTIN	4018754334520
Numbers of content units per order units	1
Country of origin	CHINA
Region of origin	Ausländischer Ursprung
Customs tariff no.	94032080

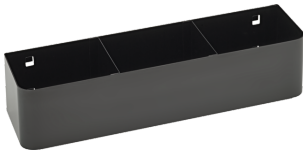
## Varianten.

Code	Article number (ERP)	Article description (Autom._)	GTIN
81200172	98/8 A PRO	Tool trolley 98/8 PRO 8 Drawers 496 x 827 x 1020 mm Anthracite, RAL 7016	4018754334520
81200173	98/8 B PRO	Tool trolley 98/8 PRO 8 Drawers 496 x 827 x 1020 mm Blue, RAL 270 30 35	4018754334537
81200174	98/8 R PRO	Tool trolley 98/8 PRO 8 Drawers 496 x 827 x 1020 mm Red, RAL 3020	4018754334544

## GTIN-Code.



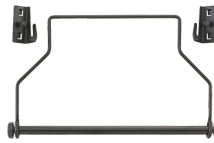
## Accessories.



90432719  
Spray can holder



90432727  
Spray can holder



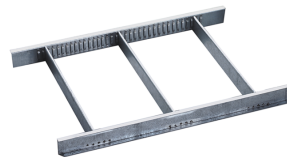
81483004  
Paper roll holder



89010040  
Cable holder



83812070  
Empty tray for small  
components



81484001  
Drawer separator



81484002  
Drawer dividers



89010003  
Non-slip mat GRIPMAT



89011053  
Waste bins



89010042

## Images.



**STAHLWILLE Eduard Wille GmbH & Co. KG**

Lindenallee 27 · 42349 Wuppertal · Germany · Phone: +49 202 4791-0 · Fax: +49 202 4791-200  
info@stahlwille.de · www.stahlwille.de · Copyright by STAHLWILLE Eduard Wille GmbH & Co. KG, Wuppertal  
Copyright by STAHLWILLE Eduard Wille GmbH & Co. KG, Wuppertal