



## Mobile workbench

### WB 625

Art.No. 85010625  
GTIN 4018754334018  
Model WB 625

**Label.** Mobile workbench WB 625 7 Drawers Anthracite, RAL 7016 L.1150mm x W.500mm x H.890mm

**Description.**

**Three-stage safety concept:**

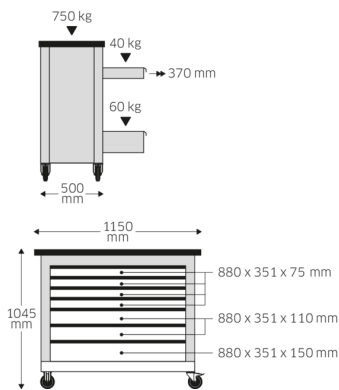
1. Central locking with a lateral cylinder lock and hinged key
2. Individual locks prevent inadvertent opening while in transit
3. Topple proof – it is not possible to pull out several drawers at the same time

- 7 easily removable drawers with full extension and ball bearing cage guide
- Large work surface with multiplex beechwood worktop (with FSC certification), 1150 x 500 x 30 mm
- Oil- and acid-resistant wheels (125 mm diameter) with thread guards to protect the bearings from dirt and threads, with two locking brakes
- Paper roll holder
- Body RAL 7016, drawers RAL 9005 in sturdy industrial powder coating
- Can be fitted with STAHLWILLE standard and TCS inserts, 1 x 3/3 + 1 x 2/3 TCS insert per drawer
- Drawer dimensions 880 x 350mm, inner drawer heights: 4 x 72 mm, 2 x 110 mm, and 1 x 150 mm
- Two-sided square hole grid for hooks (No. 8031-8041)

## Advantages.

Three-stage safety concept: 1. Central locking by side cylinder lock with folding key 2. Individual locks prevent inadvertent opening while in transit 3. Tilt protection – it is not possible to pull out several drawers at the same time

## Technical Drawing.



## Technical Attributes.

Number of drawers	7
Breite mm (b)	500 mm
Colour	Anthracite, RAL 7016
Height mm (h)	890 mm
Länge mm (l)	1150 mm
No.	WB 625
Drawer internal dimensions	880 x 351 x 75 mm (4x) 880 x 351 x 110 mm (2x) 880 x 351 x 150 mm (1x)
Drawer load capacity	40 kg 40 kg 60 kg
Load capacity	750 kg

## Logistics data.

Length (IFS)	1150
Width (IFS)	500
Height (IFS)	890
Length (packed, mm)	1200
Width (packed, mm)	555
Höhe (verpackt, mm)	948
Code	85010625
Weight (gross, kg)	106,500
Weight PAP (kg)	7,000
Weight PVC (kg)	0,180
GTIN	4018754334018
Numbers of content units per order units	1
Country of origin	CHINA
Region of origin	Ausländischer Ursprung
Customs tariff no.	94032080

## Varianten.

Code	Article number (ERP)	Article description (Autom._)	GTIN
85010625	WB 625	Mobile workbench WB 625 7 Drawers Anthracite, RAL 7016 L.1150mm x W.500mm x H.890mm	4018754334018

## GTIN-Code.



## Accessories.



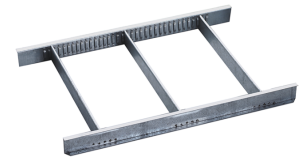
90432727  
Spray can holder



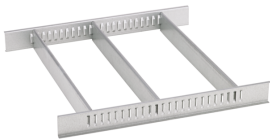
89010040  
Cable holder



83812070  
Empty tray for small  
components



81484001  
Drawer separator



81484002  
Drawer dividers

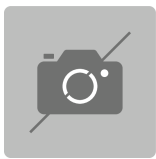


89010003  
Non-slip mat GRIPMAT



89010041

## Spare parts.



90432731  
Multiplex beech wood  
top



81490001  
Set of wheels

## Images.



**STAHLWILLE Eduard Wille GmbH & Co. KG**

Lindenallee 27 · 42349 Wuppertal · Germany · Phone: +49 202 4791-0 · Fax: +49 202 4791-200  
info@stahlwille.de · www.stahlwille.de · Copyright by STAHLWILLE Eduard Wille GmbH & Co. KG, Wuppertal  
Copyright by STAHLWILLE Eduard Wille GmbH & Co. KG, Wuppertal