



## Angle of rotation testers SmartCheck Angle

### SMARTCHECK ANGLE

Art.No. 96521400  
GTIN 4018754323005  
Model SMARTCHECK ANGLE

**Label.** Angle of rotation testers SmartCheck Angle Values only for in-lb452 mm

**Description.**

Variable and flexible rotation angle tester thanks to exchangeable supports for rotation angle spanners up to 400 N-m

- Display, display holder and base body can be rotated by 180°
- 1/2 inch square fixture
- The display and membrane keypad are splash-proof and the housing is made of impact-resistant plastic.
- The rotating arm can be fixed for transport
- Rotation angle measurements up to 720° with target value setting and evaluation of the measurement results directly on the unit
- USB interface for documentation of test values
- Up to 200 test values with time stamp can be stored in the unit
- Optional documentation software via free download link

**2 application modes:**

Continuous display (track)

Peak value display (Peak-Hold)

Operation via mains adapter or battery

Usage:

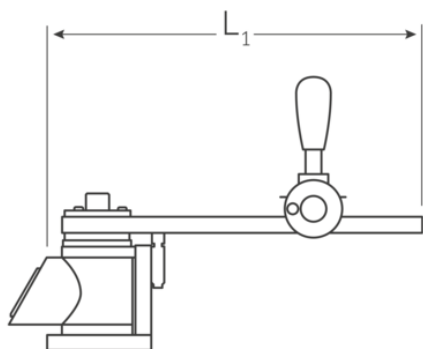
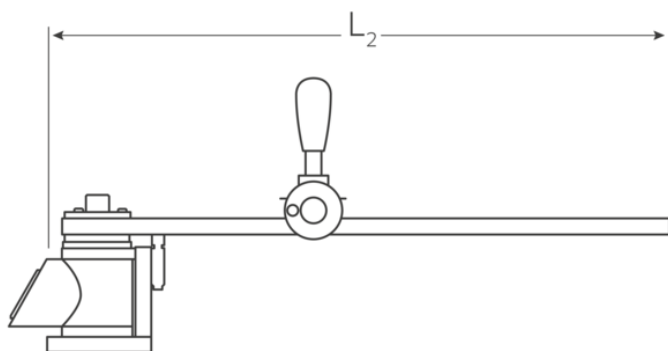
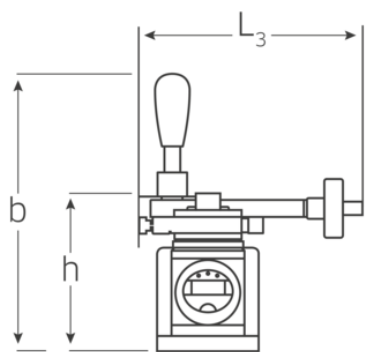
Simple checking of rotation angle spanners for compliance with the specified tolerance

**Scope of delivery:**

Includes USB power supply, reducing adapters to 1/4" or 3/8", in sturdy plastic case



## Technical Drawing.



## Technical Attributes.

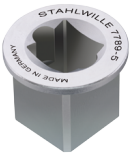
Breite mm (b)	375 mm
Height mm (h)	213 mm
Measuring range [1]	452 mm
Measuring range [2]	752 mm
Measuring range [3]	263 mm

## Logistics data.

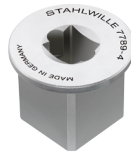
Length (IFS)	730
Width (IFS)	375
Height (IFS)	213
Length (packed, mm)	730
Width (packed, mm)	375
Höhe (verpackt, mm)	213
Code	96521400
Weight	7800 g
Weight (gross, kg)	11,500

Weight PAP (kg)	1,000
Weight PVC (kg)	0,000
GTIN	4018754323005
Numbers of content units per order units	1
Country of origin	GERMANY
Region of origin	Nordrhein-Westfalen
Customs tariff no.	90318080

## Parts list.



58524091  
Square drive adaptor



58524090  
Square drive adaptor



81500004  
Plastic case, empty



52110063  
USB mains adapter



91100522  
Packing material



51110057  
USB cable

## Varianten.

Code	Article number (ERP)	Article description (Autom._)	GTIN
96521400	SMARTCHECK ANGLE	Angle of rotation testers SmartCheck Angle Values only for in-lb452 mm	4018754323005

## GTIN-Code.



4 018754 323005



**STAHLWILLE Eduard Wille GmbH & Co. KG**

Lindenallee 27 · 42349 Wuppertal · Germany · Phone: +49 202 4791-0 · Fax: +49 202 4791-200  
info@stahlwille.de · www.stahlwille.de · Copyright by STAHLWILLE Eduard Wille GmbH & Co. KG, Wuppertal  
Copyright by STAHLWILLE Eduard Wille GmbH & Co. KG, Wuppertal